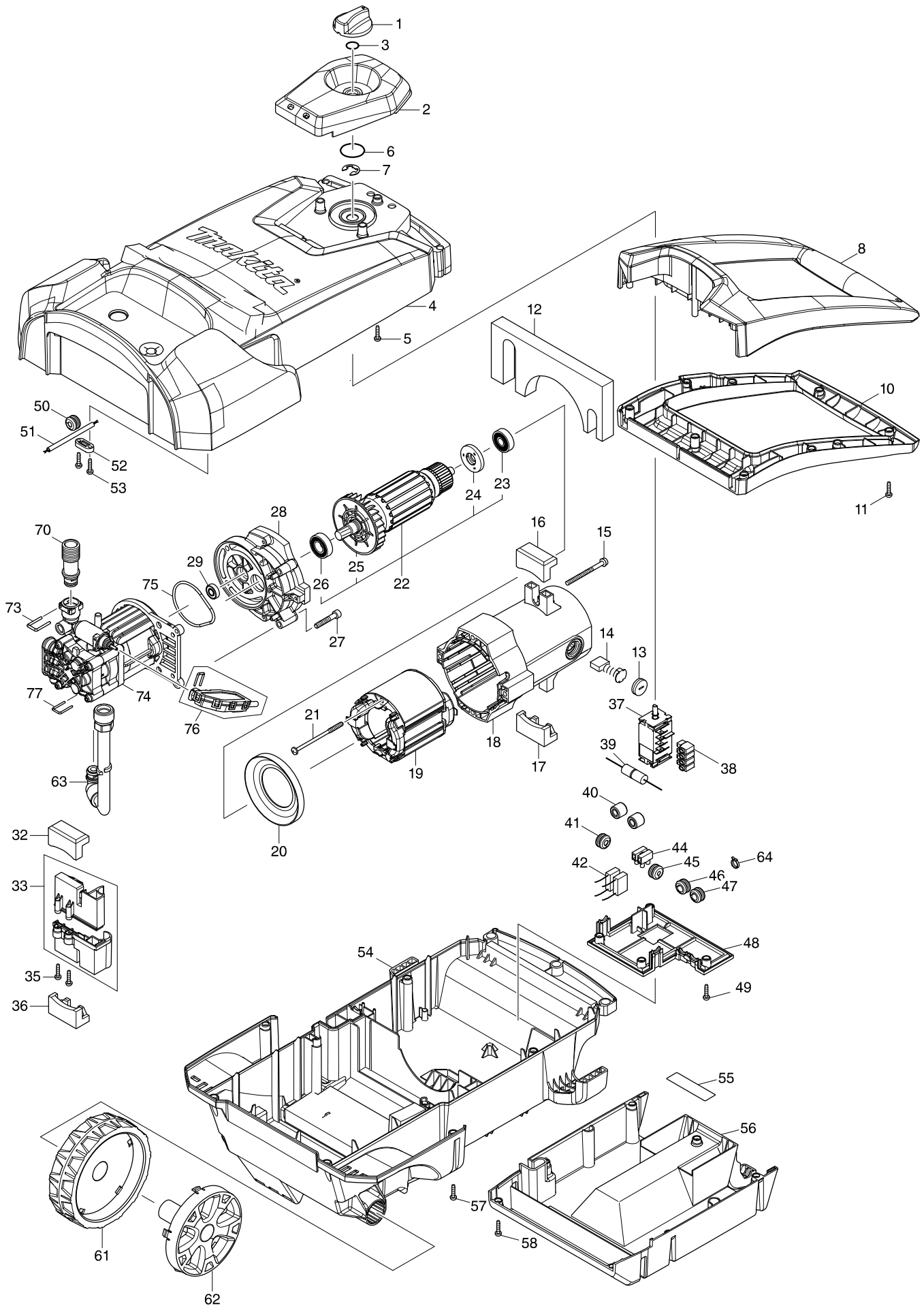


Model No. HW1200 HIGH PRESSURE WASHER



Model No. HW1200 HIGH PRESSURE WASHER

Item	Parts No.	Description	I/C	QTY	N/O	Opt. 1	Opt. 2	NOTE
001	456837-7	SWITCH DIAL 50		1				
002	456953-5	FRONT COVER		1				
003	213176-6	O RING 14		1	100			
004	143817-9	FRONT HOUSING COMPLETE		1				
005	266045-0	TAPPING SCREW 4X20		4	100			
006	213412-0	O RING 29		1	100			
007	961062-2	STOP RING E-12		1	100			
008	456841-6	FRONT HANDLE		1				
010	456843-2	REAR HANDLE		1				
011	266045-0	TAPPING SCREW 4X20		7	100			
012	424856-1	SCREEN SPONGE F		1				
013	643700-5	BRUSH HOLDER CAP 7-18		2	100			
014	191953-5	CARBON BRUSH CB-203		1	100			
015	911288-6	PAN HEAD SCREW M5X65		4	100			
016	424852-9	RUBBER CUSHION		1				
017	424852-9	RUBBER CUSHION		1				
018	143813-7	MOTOR HOUSING COMPLETE		1				
C10	643712-8	BRUSH HOLDER		2	100			
019	639092-8	FIELD ASSY 240V		1				
C10	654197-3	RING TERMINAL		2	100			
C20	654502-4	CONNECTOR P-2		2	100			
020	416131-9	BAFFLE PLATE		1	100			
021	265A13-6	TAPPING SCREW 5X85		2				
022	513474-1	ARMATURE ASSEMBLY 240V		1				
D10		INC. 23-26						
023	211067-5	BALL BEARING 6200ZZ		1	100			
024	681630-2	INSULATION WASHER		1	100			
025	241908-1	FAN 80		1	100			
026	211236-8	BALL BEARING 6002DDW		1	100			
027	266586-6	H.S.H.BOLT M6X35		4				
028	143822-6	GEAR HOUSING COMPLETE		1				
C10	263005-3	RUBBER PIN 6		1	100			
029	211166-3	BALL BEARING 698DDW		1				
032	424852-9	RUBBER CUSHION		1				
033	183D72-5	PUMP RETAINER SET		1				
035	266045-0	TAPPING SCREW 4X20		2	100			
036	424852-9	RUBBER CUSHION		1				
037	650780-4	SWITCH		1				
038	686035-1	RECEPTACLE SLEEVE		4	100			
039	632G71-7	CURRENT FUSE UNIT		1				
040	688163-8	LINE FILTER		2	100			
041	682099-3	GROMMET		1				
042	645089-7	NOISE SUPPRESSOR		1	100			
044	654531-7	TERMINAL BLOCK 2P		1	100			
045	682098-5	GROMMET		1				
046	682100-4	GROMMET		1				
047	682100-4	GROMMET		1				
048	456833-5	SWITCH BOX COVER		1				

Model No. HW1200 HIGH PRESSURE WASHER

Item	Parts No.	Description	I/C	QTY	N/O	Opt. 1	Opt. 2	NOTE
049	266045-0	TAPPING SCREW 4X20		4		100		
050	682099-3	GROMMET		1				
051	692557-1	POWER SUPPLY CORD 1.0-2-5.7		1				
052	687124-5	STRAIN RELIEF		1		100		
053	266045-0	TAPPING SCREW 4X20		2		100		
054	143820-0	REAR HOUSING COMPLETE		1				
C10	809R02-9	CAUTION LABEL		1				
055	852W47-6	HW1200 NAME PLATE		1				
056	456838-5	REAR BOX		1				
057	266045-0	TAPPING SCREW 4X20		8		100		
058	266045-0	TAPPING SCREW 4X20		7		100		
061	456835-1	WHEEL		2				
062	456836-9	WHEEL CAP		2				
063	123649-0	ABSORPTION JOINT		1				
064	687010-0	BAND		1		100		
070	TG00000007	DISCHARGE PORT JOINT		1				
073	TG00000002	U TYPE PIN 3		1				
074	TG00000001	PUMP COMPLETE		1				
075	TG00000006	SEAL RING 62		1				
076	TG00000005	PRESSURE SWITCH COMPLETE		1				
077	TG00000003	U TYPE PIN 2		1				
A01	197842-2	TRIGGER GUN SET		1				
A02	197886-2	FOAM NOZZLE SET		1				
A03	197876-5	VARIOSPRAY LANCE SET		1				
A04	197824-4	CYCLONE JET NOZZLE SET		1				
A05	123784-4	HIGH PRESSURE HOSE 10M		1				
A06	197935-5	CONNECTOR SET		1				
C10	197883-8	ONE TOUCH JOINT SET		1				
C20	197881-2	ABSORPTION CONNECTOR SET		1				
C30	123660-2	CLEANING PIN		1				
C40	266045-0	TAPPING SCREW 4X20		7		100		
E01	800A41-0	SOUND 89DB LABEL		1				